



E300 Fibre Optic Splice Blown Fibre Optic Dome Closure With Loop Facilities and Heatshrink Seal

Application

The closure is a compact, universal optic splice closure with an integrated fibre organizer system for up to 72 fibres. The closure is ideally suited for trunk and local access networks where re-entry is required.

The closure is supplied with 2 circular ports for blown fibre, an oval port for loop through applications. The dome closure comes complete with 2 fibre organizer trays that can accommodate different types of splice holders and a storage basket for loop through fibre buffer tubes.

The seal between the cover and the base is achieved with an 'O' ring and a moulded plastic clamp. The environmental seal between the base and the cables can be achieved by using heatshrinkable sleeving. The heatshrink supplied in the closure kits are adhesive lined, crosslinked polyolefin, medium wall heatshrinkable sleeving, which provides an environmental seal.

Features

- durable
- UV stabilised
- robust
- compact
- no compounds required for sealing
- moulded plastic swivel clamp
- suited for aerial and underground applications

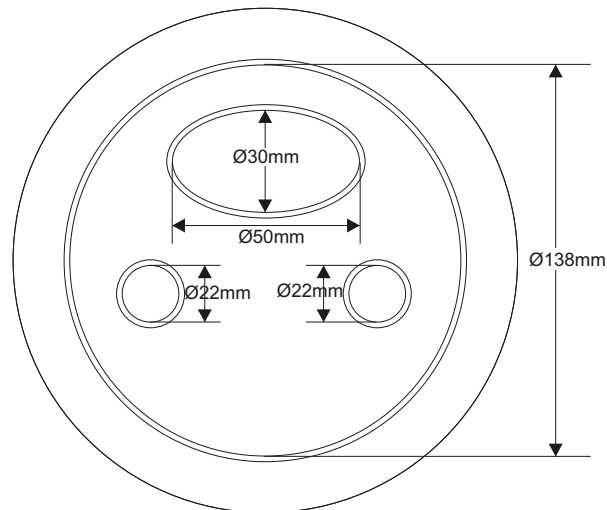


Fibre Optic Splice Blown Fibre Dome Closure

The FO E300 '3' 11B-HB comes supplied with:

- 2 Fibre organiser trays complete with splice holders
- A storage basket for looped fibre tubes
- Fibre organiser tray cover
- A oval port for looped through fibres
- 2 closed ports for through jointing and future cables
- Butyl tape
- Transportation tubes with tube markers
- Heatshrink assembly kit
- Anchor unit assembly kit
- Cable preparation kit
- Mounting bracket

* Additional closed ports and earthing facilities are available on request



Port Configuration

72 FO Closure with splice protector holders. Body 138 I/D with length 300mm. Standard 1 Oval and Two No.1 entries supplied with heatshrink kits.

(Standard configuration: Body I/D 138mm with a length of 300mm heatshrink splice protector holders and heatshrink sealing)

*All dimensions in millimeters.